

BIA/21/43 Mechanical Seal for Clean Water Pumps, Piping Pumps and Vacuum Pumps BIA型(21型/43型)机械密封



Structural Features: single end, unbalanced, independent direction of rotation, rubber bellow, bellow transmission. This component has a compact structure with good compatibility, stability, and easy installation.

结构特点: 单端面, 非平衡型, 任意旋向, 橡胶波纹管传动。结构简单, 安装简便, 追随性好, 性能稳定, 适用范围广。

Standards: DIN24960, ISO3069, GB6556
符合标准: DIN24960, ISO3069, GB6556

Scopes of Application: widely used in oil and water circulation pumps, piping pumps, and vacuum pumps for industries such as sewage treatment and paper-making. This product can be an alternative to similar products from EG&G SEAL OL.

应用领域: 广泛应用于化工、食品、医药、污水处理、造纸等领域。可同清水泵、管道泵、真空泵、循环泵、食品机械等旋转设备配套。

Inner Diameter: 12 mm to 100 mm
规格范围: 12 mm - 100 mm

Materials

Rotary Ring Face: Carbon/SiC/TC

Stationary Ring Face: Al₂O₃/SiC/TC

Elastomers: NBR/EPDM/Viton

Springs: SS304/SS316

Metal Parts: SS304/SS316

材料

旋转环端面: 石墨/碳化硅/碳化钨

静止环端面: 氧化铝/碳化硅/碳化钨

辅助密封: 丁腈橡胶/三元乙丙胶/氟橡胶

弹簧: SS304/SS316

金属部件: SS304/SS316

Operation Parameters

Pressure: ≤ 0.8 MPa

Temperature: -20 ~ 120 °C

Linear Speed: ≤ 10 m/s

运行参数

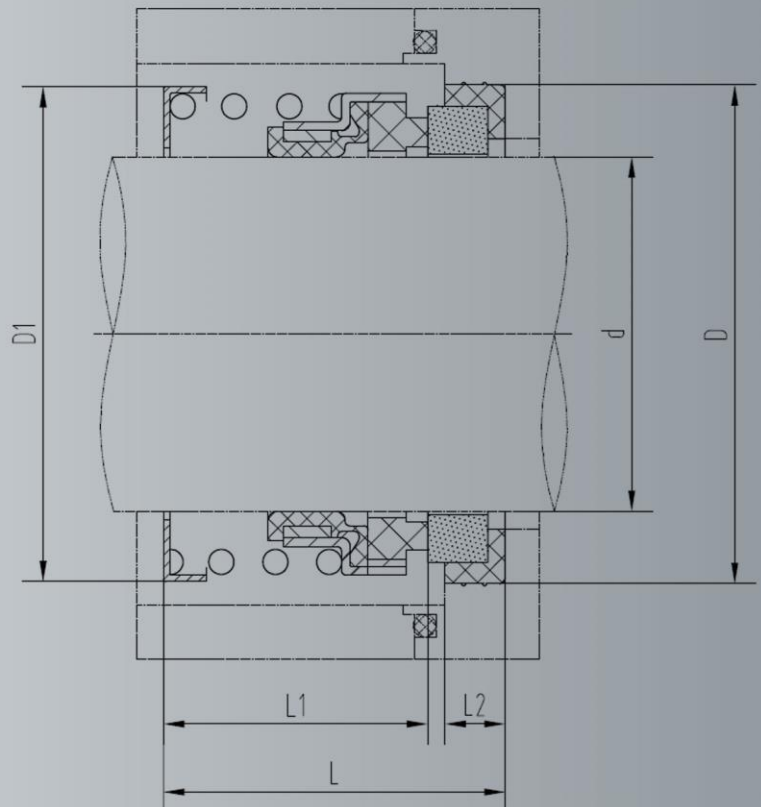
压力: ≤ 0.8 MPa

温度: -20 ~ 120 °C

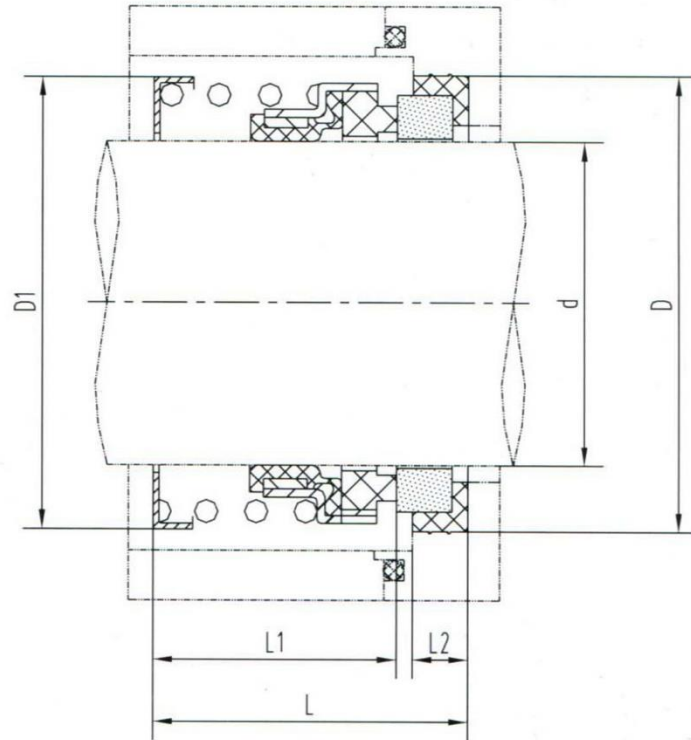
线速度: ≤ 10 m/s

Mediums: oil, water, weak acid and alkali and other corrosive mediums.

适用介质: 油类、水、弱酸、弱碱等一般腐蚀性介质。



BIA/21/43 Mechanical Seal Dimension Chart - BIA型(21型/43型)机械密封尺寸对照表



Shaft Sizes	Dimensions					
	d h6	D H8	D1	L	L1	L2
14	14	30	27.5	23.7	18.7	4.5
16	16	32	28.5	26.0	21.0	4.5
18	18	35	31.2	28.5	21.0	6.0
20	20	35	31.8	29.0	21.0	6.5
22	22	37	35.2	33.5	25.5	6.5
25	25	40	39.0	33.5	25.5	6.5
28	28	43	44.1	33.5	25.5	6.5
30	30	45	45.1	34.5	25.5	7.5
32	32	48	49.0	42.5	33.5	7.5
33	33	48	49.0	42.5	33.5	7.5
35	35	50	50.2	42.5	33.5	7.5
38	38	56	55.3	42.5	33.5	7.5
40	40	58	57.0	42.5	33.5	7.5
43	43	61	60.7	46.0	36.5	8.0
45	45	63	62.5	47.5	38.0	8.0
48	48	66	66.5	47.5	38.0	8.0
50	50	70	68.6	47.5	38.0	8.0
53	53	73	70.8	50.5	41.0	8.0
55	55	75	72.4	50.5	41.0	8.0
58	58	78	80.0	51.5	42.0	8.0
60	60	80	83.0	51.5	42.0	8.0
65	65	85	87.2	52.5	43.0	9.5
70	70	92	91.6	56.0	45.0	9.5
75	75	97	99.4	60.0	48.0	10.0
80	80	104	104.6	67.0	55.0	10.0
85	85	109	111.0	76.2	64.2	10.0
90	90	114	113.0	78.2	68.2	10.0
100	100	125	124.0	76.0	62.0	12.0